

Spare Parts Catalogue

ASKO Dishwashers \ ASKO 5000 XL ADA Compliant Series

Type: DW90.2

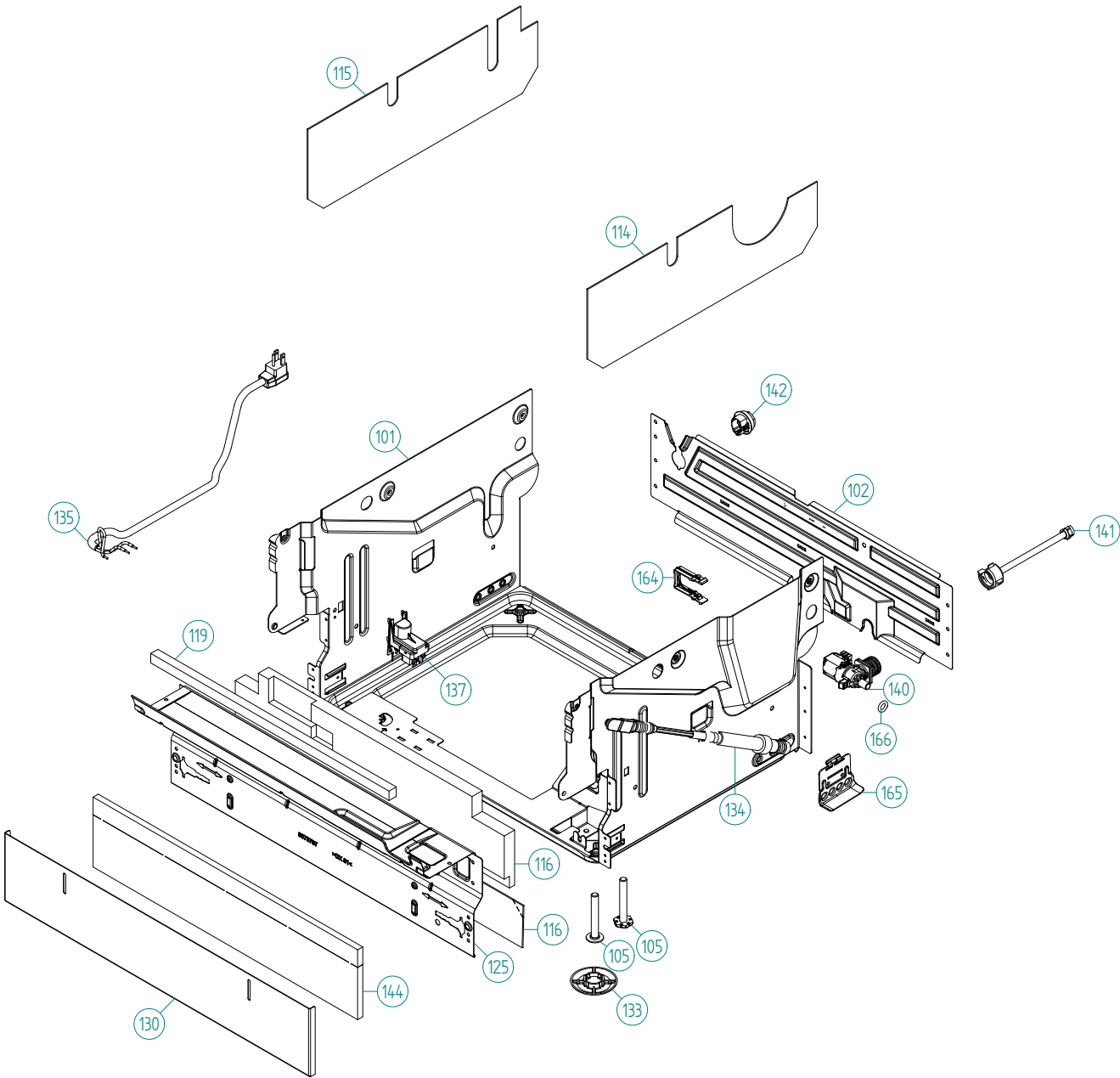
Model: D5644 XL US Stainless

Prod. No: 107564481

January 29th 2013

ASKO Appliances Inc.

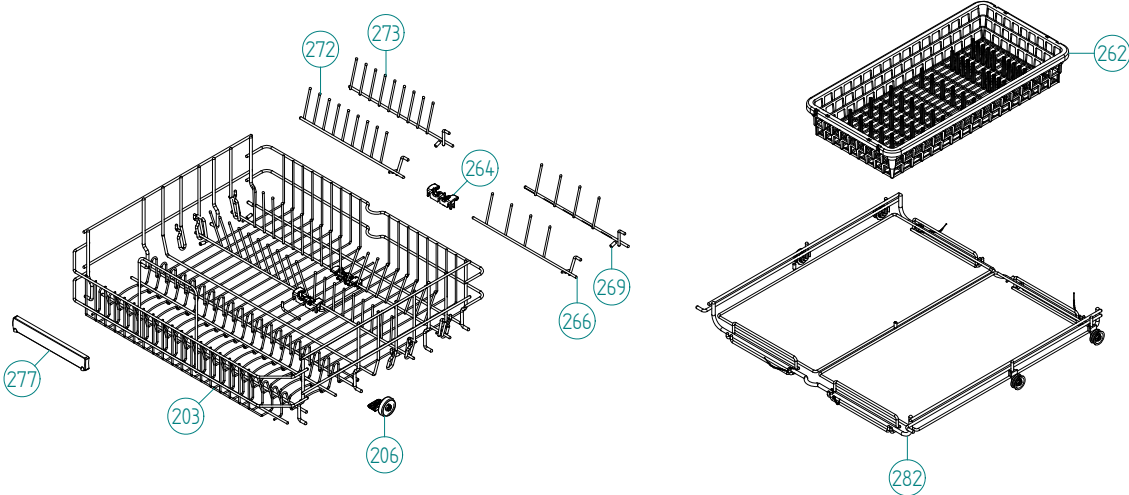
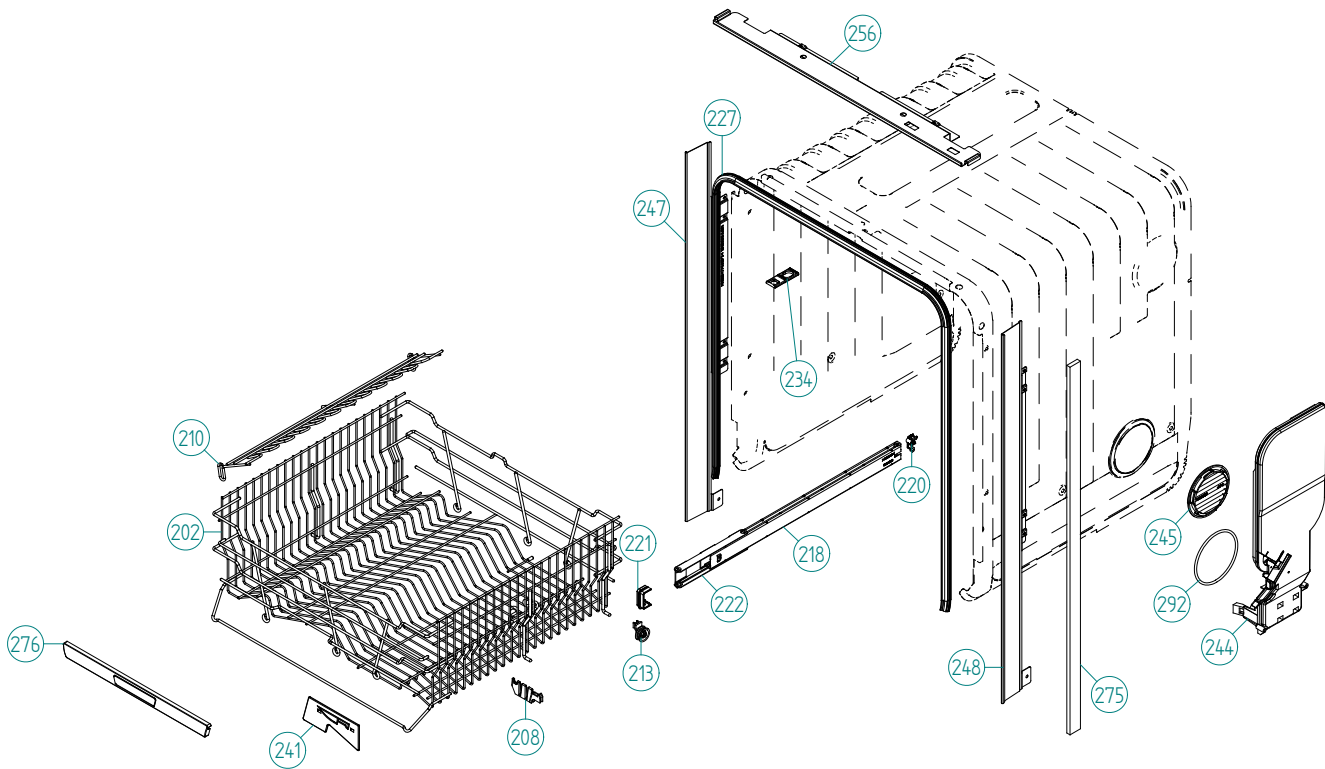
4001 E Plano Parkway #1004001 E Plano Parkway #100
Plano, Texas 75074



Base and related parts

ASKO, D5644 XL US - Stainless (DW90.2)

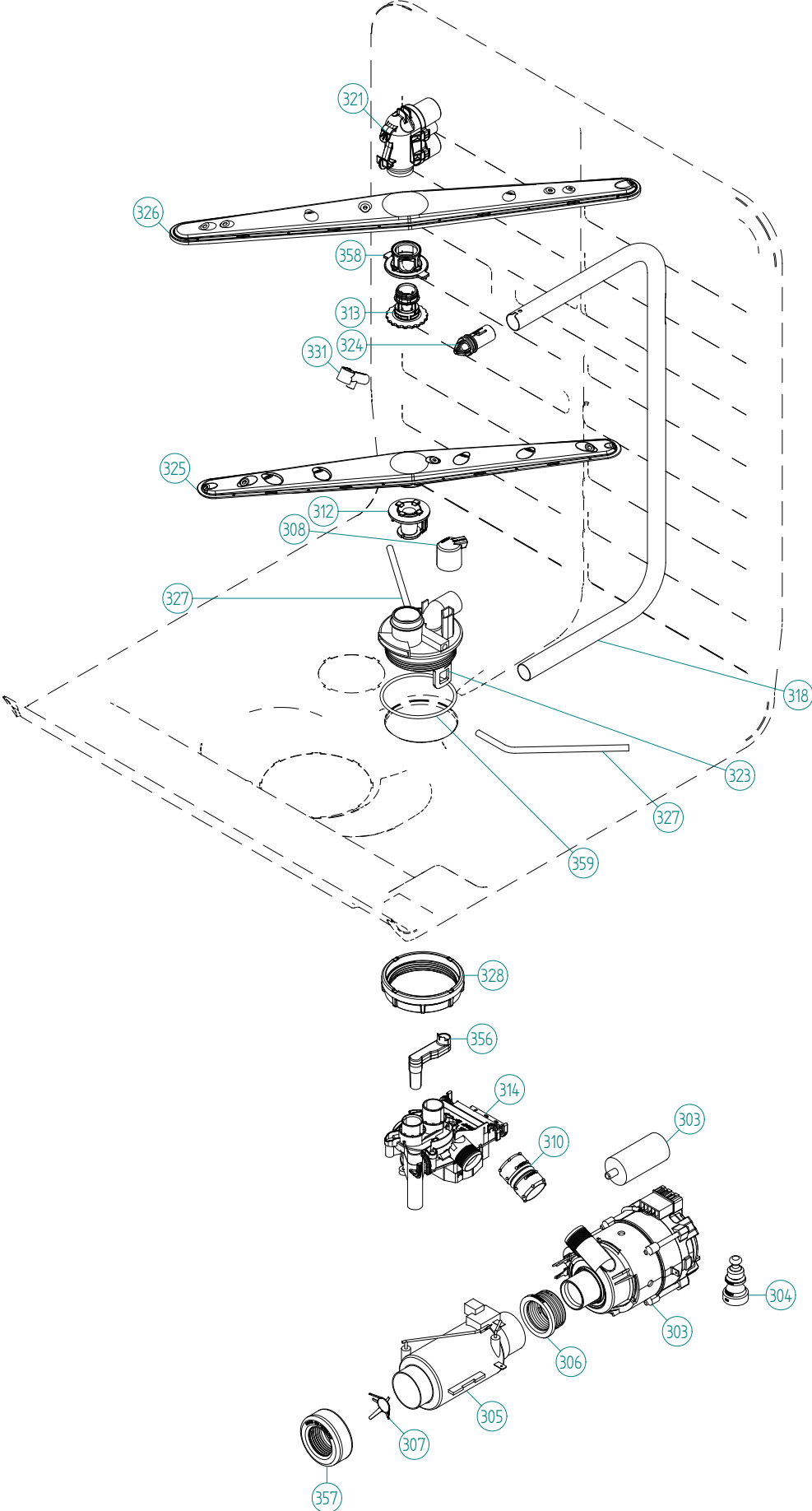
| Pos | Spare part No. | Description | Qty | Comment |
|-------|----------------|----------------------------------|--------|---------|
| 101 | 8801387 | BOTTOM OUTER COMPL. | 1 Pc's | |
| 101-a | 8901104 | Screw 20 Torx Machine | 2 Pc's | |
| 101-b | 8901110 | Screw w/ORing DW 05/06 25T | 4 Pc's | |
| 102 | 8078006 | REAR PANEL | 1 Pc's | |
| 102-a | 8902357 | Screw RTS 4.2X13 FZB T20 | 4 Pc's | |
| 105 | 8074228 | Leveling Foot M10X75 T30 8.8 FZB | 3 Pc's | |
| 105 | 8089196 | FOOT M10X75 PLASTIC EMBEDMENT | 3 Pc's | |
| 114 | 8078109 | SOUND ABSORP. SELF AD. RIGHT | 1 Pc's | |
| 115 | 8078108 | SOUND ABSORP. SELF AD. LEFT | 1 Pc's | |
| 116 | 8078114 | SOUND ABSORBENT GUARD PLATE | 1 Pc's | |
| 116 | 8082272 | Sound Absorb Protective Plate | 1 Pc's | |
| 119 | 8078122 | SOUND ABSORPTION PROFILE | 1 Pc's | |
| 125 | 8078007-81 | GUARD PLATE FLANGED TITANIUM | 1 Pc's | |
| 125-a | 8902357 | Screw RTS 4.2X13 FZB T20 | 4 Pc's | |
| 130 | 8079572-81 | KICK-PLATE FIXED DEPTH TITAN. | 1 Pc's | |
| 130 | 8079572 | KICK-PLATE FIXED DEPTH | 1 Pc's | |
| 130-a | 8900256 | SCREW RXS 4,2X9,5 FZB | 2 Pc's | |
| 133 | 8051957 | Glide Foot | 3 Pc's | |
| 134 | 8088591 | DOORSRING CPL HARD DAMPER YEL | 1 Pc's | |
| 134 | 8088592 | DOORSRING CPL HARD DAMPER RED | 1 Pc's | |
| 135 | 8083262 | CORD SET 15A AMERICA | 1 Pc's | |
| 137 | 8083041 | Terminal Block w/RFI DW70 | 1 Pc's | |
| 137-a | 8901097 | Screw Terminal | 1 Pc's | |
| 140 | 8801376 | KIT INL.VALVE/LOCKARM SING120V | 1 Pc's | |
| 141 | 8079522 | PEX Inlet hose DW | 1 Pc's | |
| 141-a | 8074473 | SEALING EPDM 13X9,1 | 1 Pc's | |
| 141-b | 8090072 | SEAL 3/4 EPDM 25,9X10,9X2 | 1 Pc's | |
| 142 | 8006948 | Grommet | 1 Pc's | |
| 144 | 8089570 | Sound Absorb Toe Kick | 1 Pc's | |
| 164 | 8079597 | LOCK ARM INLET VALVE | 1 Pc's | |
| 165 | 8078013 | DOOR SPRING HOLDER | 2 Pc's | |
| 165-a | 8902362 | SCREW RTK ST 4,2X9,5 FZB WAX. | 2 Pc's | |
| 166 | 8901779 | O-RING 10X3,5 | 1 Pc's | |



Baskets and related parts

ASKO, D5644 XL US - Stainless (DW90.2)

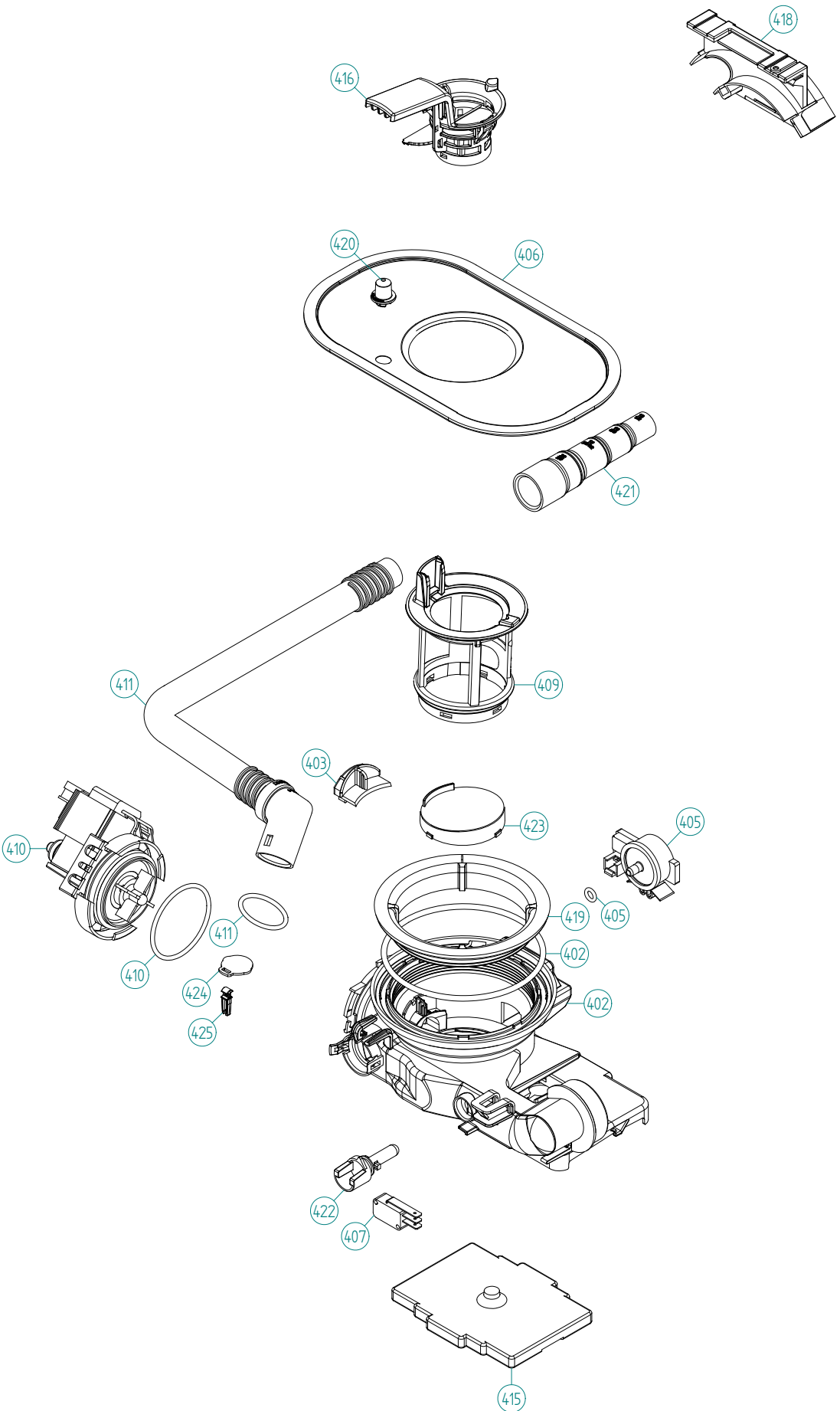
| Pos | Spare part No. | Description | Qty | Comment |
|-------|----------------|--------------------------------|--------|------------------|
| 201 | 8057056 | - | 1 Pc's | Not a spare part |
| 202 | 8801399-36 | UPPER BASKET COMPL DW70XL D.GR | 1 Pc's | |
| 203 | 8801316-36 | LOWER BASKET EXCL D.GREY 07 | 1 Pc's | New design |
| 206 | 8079257-77 | WHEEL FOR LOW DISHW BASKET CPL | 8 Pc's | |
| 208 | 8071214-77 | Knife Holder 05/06 DW | 2 Pc's | |
| 210 | 8071337-36 | Cup Shelf Wine Glass 05/06 DW | 2 Pc's | |
| 213 | 8058498-77 | Upper Basket Wheel | 4 Pc's | |
| 218 | 8801350 | DW Upper Basket Guide Rail Kit | 2 Pc's | |
| 220 | 8057978-77 | DW Rail Stop - Back Grey | 2 Pc's | |
| 221 | 8088703-77 | BASKET STOP | 2 Pc's | |
| 222 | 8801349-77 | Bearing Holder w/Bearings | 1 Pc's | |
| 227 | 8057489-E | Door strip 3000xl | 1 Pc's | |
| 234 | 8070649 | Lock Hitch Int | 1 Pc's | |
| 234-a | 8070654 | LOCK WASHER INTEGR. | 1 Pc's | |
| 234-b | 8901104 | Screw 20 Torx Machine | 1 Pc's | |
| 241 | 8057506-77 | Knife Stop | 1 Pc's | |
| 244 | 8078300 | AIRBREAK STD. DW70 UL4 | 1 Pc's | |
| 245 | 8078304-77 | Lockring Air Break Grey | 1 Pc's | |
| 247 | 8074342-E-90 | TRIM STRIP LEFT XXL SS | 1 Pc's | |
| 248 | 8074343-E-90 | Trim Strip Right XXL SS | 1 Pc's | |
| 256 | 8075663-90 | TRIM RAIL LOW USA STAINLESS | 1 Pc's | |
| 262 | 8083376-77 | INSERT CUTLERY BASKET MIDDLE | 2 Pc's | |
| 264 | 8076632-77 | Holder | 3 Pc's | |
| 266 | 8079130-36 | PlateRack short/wide R-FT | 1 Pc's | |
| 269 | 8079131-36 | PlateRack short/wide R-BK | 1 Pc's | |
| 272 | 8079123-36 | PlateRack short/narrow L-FT | 1 Pc's | |
| 273 | 8079124-36 | PlateRack short/narrow L-BK | 1 Pc's | |
| 275 | 8070614 | SEALING STRIPE TRIM STRIPE USA | 2 Pc's | |
| 276 | 8801330-77 | HANDLE U-BASKET COMPL. ASKO | 1 Pc's | |
| 277 | 8801332-77 | HANDLE LOWER BASKET COMPL. | 1 Pc's | |
| 282 | 8094506-36 | M. BASKET XL CPL CUTLERY X2 | 1 Pc's | |
| 292 | 8901778 | O-RING 95X4 | 1 Pc's | |



Wash System

ASKO, D5644 XL US - Stainless (DW90.2)

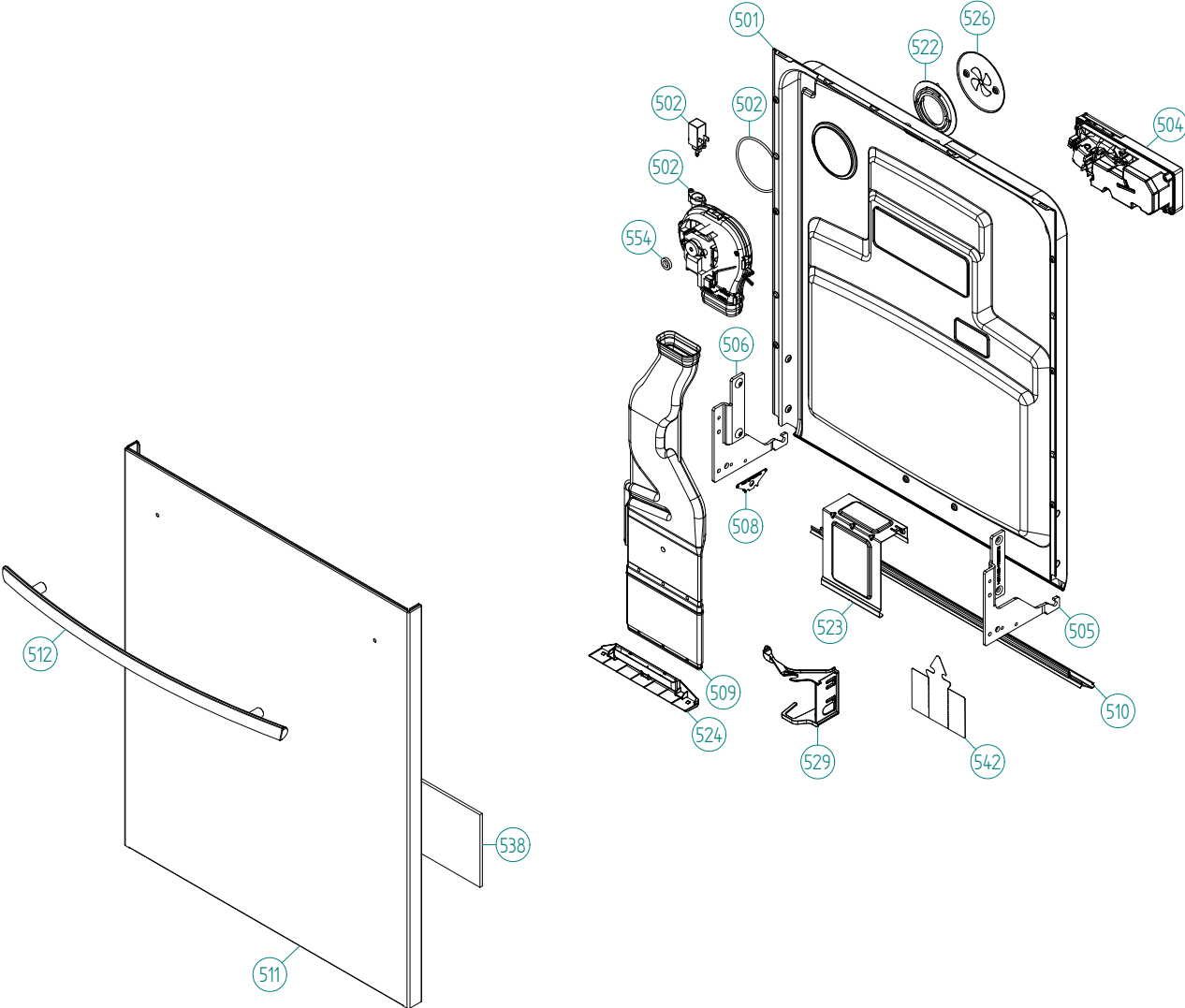
| Pos | Spare part No. | Description | Qty | Comment |
|-------|----------------|--------------------------------|--------|--------------------------------------|
| 301 | 8077998 | - | 1 Pc's | Not to be ordered |
| 303 | 8078082 | CIRC.PUMP 120V 60HZ | 1 Pc's | |
| 303-a | 8083804 | Capacitor 7 0UF 400V P2 CLASS | 1 Pc's | |
| 304 | 8079683 | RUBBER DAMPER HI CIRC.PUMP UL4 | 1 Pc's | |
| 305 | 8801463 | HEATER W.INSERT 1200W120V DW70 | 1 Pc's | |
| 306 | 8083603 | Seal Heating Element DW70/90 | 1 Pc's | |
| 307 | 8079575 | INSERT FOR HEATER | 1 Pc's | |
| 308 | 8073385-77 | Cup Drainage Gray | 1 Pc's | |
| 310 | 8801409 | KIT HOSE INCL.CLAMPS CIRK.PUMP | 1 Pc's | |
| 312 | 8801270 | Spray Arm Bearing Kit | 1 Pc's | |
| 313 | 8079108-77 | SPRAYARM BEARING H&L U.BASKET | 1 Pc's | |
| 314 | 8078085 | WATER DIVERTER VALVE 120V 60HZ | 1 Pc's | |
| 314-a | 8073003 | O-ring | 2 Pc's | |
| 318 | 8079112 | SPRAYTUBE ADJ. U-BASKET | 1 Pc's | |
| 321 | 8801359 | SPRAYTOWER COMPL H&L BASKET | 1 Pc's | |
| 323 | 8081911-LL-77 | SPRAYTOWER L FOR 2 NOZZLE UL4 | 1 Pc's | |
| 324 | 8079113-77 | GUIDE SPRAYTUBE ADJ BASKET | 1 Pc's | |
| 325 | 8072891 | Spray Arm Lower Complete | 1 Pc's | |
| 326 | 8079111 | SPRAYARM CPL H&L BASKET | 1 Pc's | |
| 327 | 8079147 | POT RINSE TUBE | 1 Pc's | |
| 327 | 8073381 | Tube Pot Rinse | 1 Pc's | |
| 327-a | 8902085 | Screw 20T for Plastic | 2 Pc's | |
| 328 | 8071607 | Locking Spray Pipe Bearing | 1 Pc's | |
| 331 | 8072543-77 | Spray Nozzle | 2 Pc's | For part no 8073381 and 8076902-L-77 |
| 356 | 8080666 | OVERFLOW CHANNEL | 1 Pc's | |
| 357 | 8083603 | Seal Heating Element DW70/90 | 1 Pc's | |
| 358 | 8079261-77 | INSERT SPRAYARM BEAR.H&L BASK. | 1 Pc's | |
| 359 | 8901765 | ORing det Comp 03/04 DW | 1 Pc's | |



Bottom well and related parts

ASKO, D5644 XL US - Stainless (DW90.2)

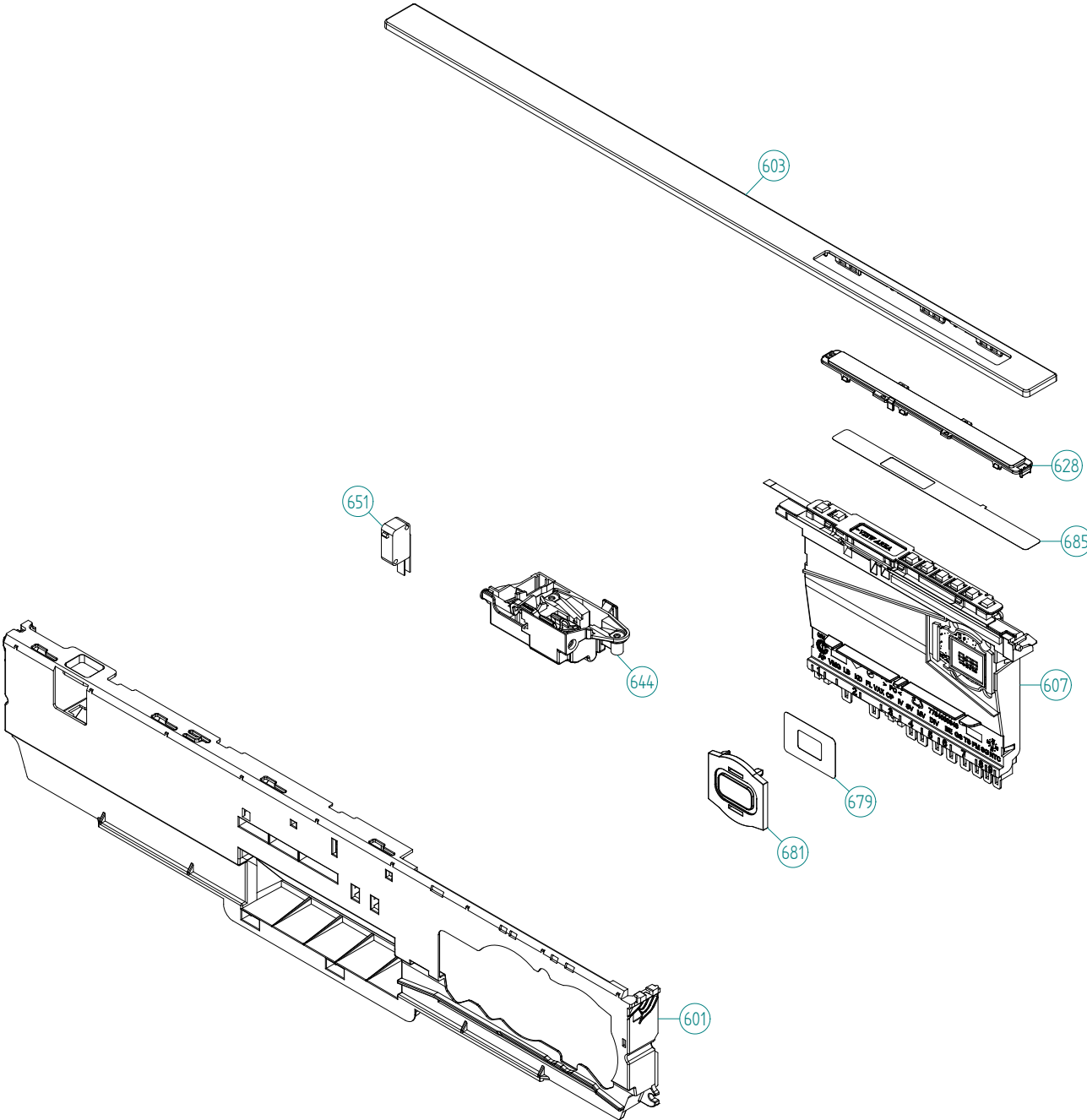
| Pos | Spare part No. | Description | Qty | Comment |
|------------|-----------------------|--------------------------------|------------|----------------|
| 402 | 8084691 | BOTTOM WELL PRESSURE SENS. UL4 | 1 Pc's | |
| 402-a | 8081039 | O-RING 110x4 | 1 Pc's | |
| 403 | 8078033 | Rinse Cap Bottom Well - Yellow | 1 Pc's | |
| 405 | 8073839 | Pressure Sensor | 1 Pc's | |
| 405-a | 8074040 | O-Ring-Press Sensor | 1 Pc's | |
| 406 | 8074364 | Strainer DW20 | 1 Pc's | |
| 407 | 8073835 | Microswitch Float | 1 Pc's | |
| 409 | 8078038-77 | Pipe Filter DW70 | 1 Pc's | |
| 410 | 8078089 | Drain Pump 120V 60Hz | 1 Pc's | |
| 410-a | 8002584 | ORing Drain Pump 05/06 DW | 1 Pc's | |
| 411 | 8091596 | OUTLETH. W HARDEND CUFF US UL4 | 1 Pc's | |
| 411-a | 8901768 | O-RING 32,3X3 (BD) | 1 Pc's | |
| 415 | 8078025 | Float | 1 Pc's | |
| 416 | 8078039-77 | Strainer Basket Grey | 1 Pc's | |
| 418 | 8072528-77 | Holder Outlet Hose | 1 Pc's | |
| 418-a | 33700450 | Cable Strip | 1 Pc's | |
| 418-b | 8902072 | SCREW PT KB40X10 WN1442 GALV | 1 Pc's | |
| 419 | 8072848 | Lockring Bottom Well | 1 Pc's | |
| 420 | 8074760-77 | Ventilator | 1 Pc's | |
| 421 | 8075321 | End Cuff | 1 Pc's | |
| 422 | 8078096 | Thermistor | 1 Pc's | |
| 423 | 8080827 | BOTTOM LID TUBE FILTER | 1 Pc's | |
| 424 | 8079691 | SEALING FLAT NON RETURN VALVE | 1 Pc's | |
| 425 | 8083211 | HOOK NON RETURN VALVE | 1 Pc's | |



Inner door, panel and related parts

ASKO, D5644 XL US - Stainless (DW90.2)

| Pos | Spare part No. | Description | Qty | Comment |
|------------|-----------------------|--------------------------------|------------|----------------|
| 501 | 8801410 | DOOR INNER W.FAN DW70XL | 1 Pc's | |
| 502 | 8089580 | Fan Complete 120v | 1 Pc's | |
| 502-a | 8058501 | ORing Turbo Fan Dry 05/06 DW | 1 Pc's | |
| 502-b | 8801438 | KIT WITH NEW WAXMOTOR DW | 1 Pc's | |
| 502-c | 8902085 | Screw 20T for Plastic | 1 Pc's | |
| 504 | 8083095 | COMBIDISP AWECO REED 120V DW90 | 1 Pc's | |
| 505 | 8089953 | HINGE RIGHT PAINTED | 1 Pc's | |
| 506 | 8089952 | HINGE LEFT PAINTED | 1 Pc's | |
| 507 | 8057530 | Screw hinge 05 | 2 Pc's | |
| 507-a | 33500262 | Nut Term Block | 2 Pc's | |
| 508 | 8088699 | WASHER HINGE BEARING | 2 Pc's | |
| 509 | 8078040 | Air Channel DW70 | 1 Pc's | |
| 510 | 8801294 | DOOR SEAL LOWER W.CORNER GUARD | 1 Pc's | |
| 511 | 8094384-90 | DOOR OUTER HANDLE CURVED | 1 Pc's | |
| 511-a | 8900646 | Screw 20 Torx SS | 6 Pc's | |
| 512 | 8073488-95 | Handle SS D3232XL | 1 Pc's | |
| 512-a | 8901969 | SCREW MRT-TT 5x12 FZB T20 | 2 Pc's | |
| 522 | 8089401 | LOCKKING RING 2 FAN HOUSE UL4 | 1 Pc's | |
| 522-a | 8902085 | Screw 20T for Plastic | 2 Pc's | |
| 523 | 8057984 | Push Button Grey 1706/1716 DW | 1 Pc's | |
| 523-a | 8900646 | Screw 20 Torx SS | 2 Pc's | |
| 523-b | 8902357 | Screw RTS 4.2X13 FZB T20 | 2 Pc's | |
| 524 | 8083977-81 | Air Pipe Thin Door Exp Dry Ti | 1 Pc's | |
| 526 | 8058484 | SS Coverplate Turbo Fan DW | 1 Pc's | |
| 526-a | 8902085 | Screw 20T for Plastic | 2 Pc's | |
| 529 | 8074278 | Bracket for harness | 1 Pc's | |
| 538 | 8084400 | INSULATION 240X130X5 | 1 Pc's | |
| 542 | 8079686 | COVER, CABLES DW70 | 1 Pc's | |
| 554 | 8083885 | SPACER FAN MOTOR-OUTER DOOR | 1 Pc's | |



Control panel and related parts

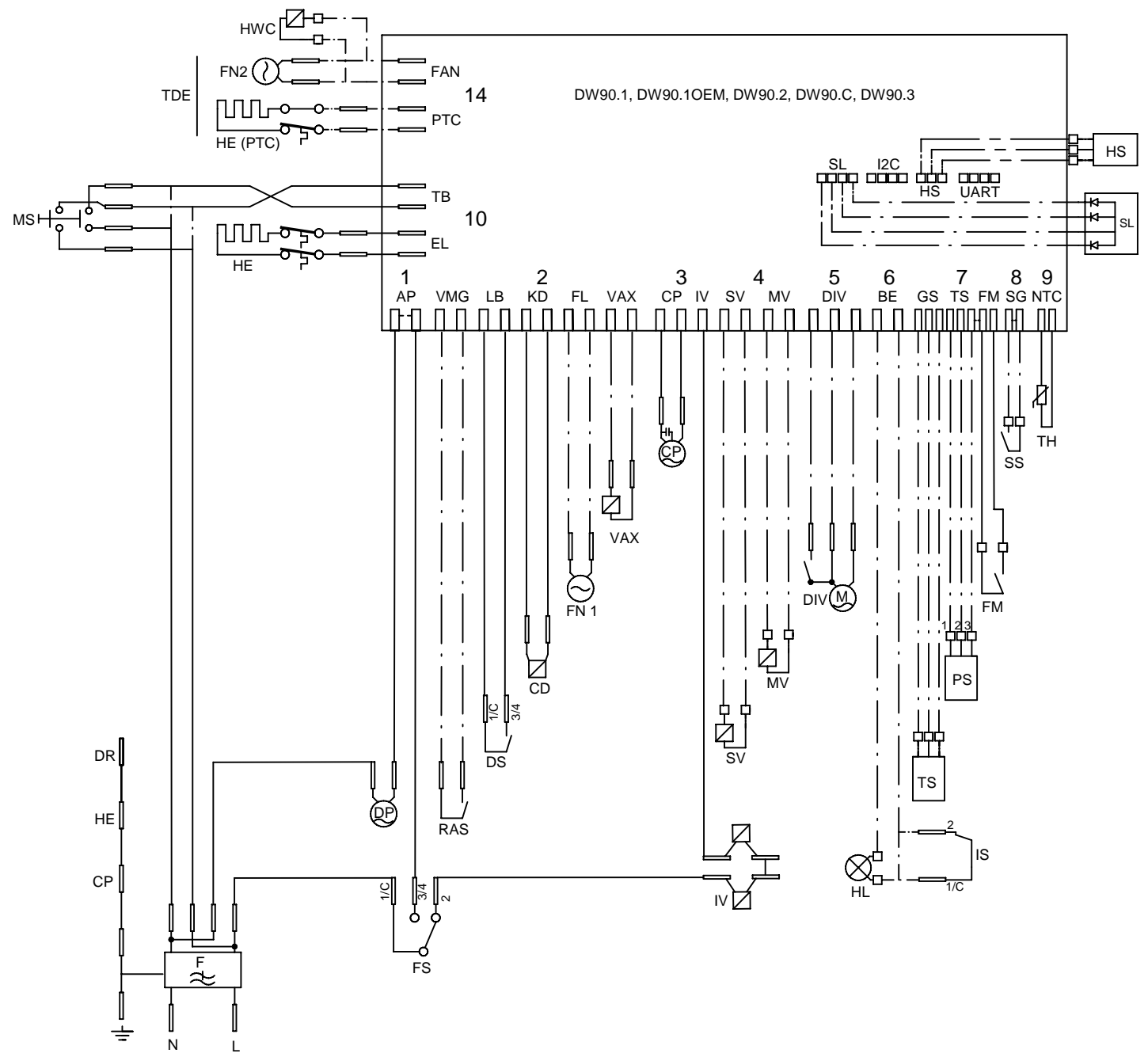
ASKO, D5644 XL US - Stainless (DW90.2)

| Pos | Spare part No. | Description | Qty | Comment |
|-------|----------------|--------------------------------|--------|---------|
| 601 | 8084001-UL | PANEL DW90 INTEGRATED LOCK UL4 | 1 Pc's | |
| 602 | 8094386 | PROG.INF.LABEL 55-5644 13P ENG | 1 Pc's | |
| 602 | 8094387 | PROG.INF.LABEL 55-5644 13P FR | 1 Pc's | |
| 603 | 8084046-81 | LENS DW90.2 ASKO GRAPHIC | 1 Pc's | |
| 607 | 8801481 | CONTR.UNIT CPL DW90.2 DISP W/B | 1 Pc's | |
| 610 | 8079517 | CABLE SET THERMISTOR UL4 | 1 Pc's | |
| 611 | 8078071 | CABLESET DIVERTER VALVE UL4 | 1 Pc's | |
| 614 | 8078068 | CABLE SET CI.PUMP IN.VALVE UL4 | 1 Pc's | |
| 616 | 8078067 | CABLE SET FLOW & PRESSURE UL4 | 1 Pc's | |
| 618 | 8079511 | CABLESET POWER TOUCH UL4 | 1 Pc's | |
| 620 | 8084061 | CABLE SET DOOR FAN-REED UL4 | 1 Pc's | |
| 622 | 8078063 | CABLE SET DRAIN UL4 | 1 Pc's | |
| 628 | 8084019 | TOUCH LENS DW90.2 UL4 | 1 Pc's | |
| 644 | 8073670 | Lock Complete Integrated | 1 Pc's | |
| 644-a | 8902085 | Screw 20T for Plastic | 2 Pc's | |
| 651 | 8073836 | MICROSWITCH DOOR | 0 Pc's | |
| 679 | 8084048 | Decor Insert Disp Window 90.2 | 1 Pc's | |
| 681 | 8801478 | DISPL.WINDOW INCL. TAPE DW90.2 | 1 Pc's | |
| 685 | 8091976-69 | DECOR INSERT DW90.2 4BU GR.UL4 | 1 Pc's | |
| 690 | 8094451 | INSTRUCTIONS D5644 XL ENG | 1 Pc's | |
| 690 | 8094452 | INSTRUCTIONS D5644 XL FR | 1 Pc's | |

- KD/CD: COMBI DISPENSER
 - CP: CIRCULATION PUMP
 - DIV: WATER DIVERTER VALVE
 - AP/DP: DRAIN PUMP
 - DR: DOOR
 - LB/DS: DOOR SWITCH
 - F: FILTER
 - FM: FLOW METER
 - FL/FN 1: FAN DOOR
 - FAN/FN 2: FAN BOTTOM
 - FS: FLOAT SWITCH
 - EL/HE: HEATING ELEMENT
 - HE (PTC): HEATING ELEMENT PTC
 - BE/HL: HALOGEN LAMP
 - HS: HUMIDITY SENSOR
 - IS: ILLUM. SWITCH
 - IV: INLET VALVE
 - I2C: I2C
 - TB/MS: MAIN SWITCH
 - MV: MIX VALVE
 - TS/PS: PRESSURE SENSOR
 - VMG/RAS: RINSE AID SENSOR
 - SL: STATUS LIGHT
 - SG/SS: SALT SENSOR
 - SV: SALT VALVE
 - NTC/TH: THERMISTOR
 - GS/TS: TURBIDITY SENSOR
 - UART: UART
 - VAX: VAX ACTUATOR
 - HWC: HOT WATER CIRCUIT
- WIRES IN ALL MACHINES
 - - - INTERNAL CONNECTION
 - . - WIRES IN SOME MACHINES

RESISTANCES AT ROOM TEMPERATURE (CA. 20°C/68°F)
VALUES WITH +/-10% ARE REGARDED AS NORMAL

| COMPONENT | RESISTANCE |
|---------------------------------------|------------|
| RADIO INTERFERENCE SUPPRESSION FILTER | 1 MOHM |
| HEATING ELEMENT 1200W 120V | 12 OHM |
| HEATING ELEMENT 1600W 230V | 32 OHM |
| HEATING ELEMENT 2040W 230V | 25 OHM |
| THERMISTOR | 60 KOHM |
| COMBINED DISPENSER 120V | 0,28 KOHM |
| COMBINED DISPENSER 230V | 1,32 KOHM |
| CIRCULATION PUMP 120V 60HZ | 32 OHM |
| CIRCULATION PUMP 230V 50HZ | 110 OHM |
| CIRCULATION PUMP 220V 60HZ | 56 OHM |
| DRAIN PUMP 120V 60HZ | 25 OHM |
| DRAIN PUMP 230V 50HZ | 150 OHM |
| DRAIN PUMP 230V 60HZ | 85 OHM |
| SPRAY ARM DIVIDER 120V 60HZ | 2,6 KOHM |
| SPRAY ARM DIVIDER 230V 50/60HZ | 8,5 KOHM |
| INLET VALVE SINGLE INCL. 120V | 0,95 KOHM |
| INLET VALVE SAFETY INCL. 120V | 0,5 KOHM |
| INLET VALVE SINGLE INCL. 230V | 3,9 KOHM |
| INLET VALVE SAFETY INCL. 230V | 2 KOHM |
| SALT VALVE 120V | 0,65 KOHM |
| MIX VALVE 120V | 0,65 KOHM |
| SALT VALVE 230V | 3 KOHM |
| MIX VALVE 230V | 2,3 KOHM |
| HALOGEN LAMP 5W 12V | <10 KOHM |
| WAX MOTOR | 1,1 KOHM |
| FAN MOTOR 120V | 0,18 KOHM |
| FAN MOTOR 230V | 0,85 KOHM |
| FAN MOTOR 2 120V | 0,22 KOHM |
| FAN MOTOR 2 230V | 0,90 KOHM |



CIRCUIT DIAGRAM DW90.1, DW90.1OEM, DW90.2, DW90.C, DW90.3

80 840 68-01

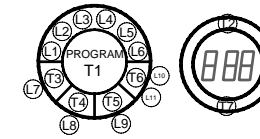
This document must not be copied without our written permission, and the contents thereof must not be imparted to a third party nor be used for any unauthorized purpose. Contravention will be prosecuted. Asko Appliances AB

| DW90.1, DW90.1 OEM, DW90.2 | | |
|--|--------------------------|---|
| After power on, wait until LCD is turned on. Then, within 5sec, press first T1 and directly after T2. Hold both buttons pressed during 5sec to enter service menu. | | |
| Failure | F:XX | Last failure read out. F10 Overfillig, F11 Drain, F12 Water inlet, F40 Valve leakage, F41 Temp. stop, F42 Thermistor, F43 Pressure sensor, F44 Turbidity sensor, F45 Diverter |
| START (T2) | | |
| Diagnostic | d:01 | Mix valve and inlet valve on (1 sec delay between mixventil and inlet valve) |
| | d:02 | Inlet valve on |
| | d:03 | Salt Valve on |
| | d:04 | Combi dispenser on |
| PROG (T1) | d:05 | Circulation and spolarmsväxlaren (if available) shall alternate between positions 1 and 3 every 30 seconds |
| | d:06 | Circulation and heaters - max 75 ° C |
| | d:07 | Fan and vax actuator |
| | d:08 | Drain Pump on |
| | d:00 | No components on |
| START (T2) | | |
| Water inlet | P:0 | Normal water intake, default |
| | P:5 | Water intake increased +5% |
| | P:10 | Water intake increased +10% |
| PROG (T1) | P:15 | Water intake increased +15% |
| | L:0 | Time, flow meter disconnected, inlet time: no of pulses x 0.068 [s] |
| | L:5 | Timed water intake increased +5% |
| | L:10 | Timed water intake increased +10% |
| | L:15 | Timed water intake increased +15% |
| START (T2) | | |
| Variant, DW90.1 | U:1 DW90.1 | Variant 1 and 2, the default setting (temperature, drying) |
| | U:2 DW90.1 OEM | |
| | U:3 DW90.1 | Variant 3 and 4 (Temperature, Drying, Delayed Start) |
| | U:4 DW90.1 OEM | |
| PROG (T1) | U:5 DW90.1 | Variant 5 and 6 (Set of time program, Temperature, Drying, Time saving, Delayed Start) |
| | U:6 DW90.1 OEM | |
| | U:7 DW90.1 and DW90.1OEM | Variant 7 (Set of time program, Temperature, Drying, Time-saving, Upper Lower basket wash, Delayed Start) |
| Variant, DW90.2 | U:1 | Variant 1, the default setting (temperature, drying) |
| | U:2 | Variant 2 (Temperature, Drying, Delayed Start) |
| PROG (T1) | U:3 | Variant 3 (Temperature, Drying, Delayed Start, Set of time program) |
| | U:4 | Variant 4 (Temperature, Drying, Delayed Start, Set of time program, Time saving) |
| START (T2) | | |
| Region | EU | Region Europe, the default setting |
| PROG (T1) | US | Region USA |
| | AU | Region Australia |
| START (T2) | | |
| Fan Sequence | Y:0 | No fan sequence during wash cycle |
| PROG (T1) | Y:1 | Fan sequence during the wash cycle but not in Normal program, the default setting |
| | Y:2 | Fan in sequence during the all wash cycles |
| START (T1) | | |
| TDE & HWC, only DW90.2 | A:0 | Turbo Drying Express and Heat Water Circuit off, default setting |
| PROG (T1) | A:1 | Turbo Drying Express on |
| | A:2 | Heat Water Circuit on |
| START (T2) | | |
| ECO, only DW90.1 | E:0 | ECO off, the default setting |
| PROG (T1) | E:1 | ECO on, when the machine is connected to hot water consumed less electrical energy to heat water and program time is shortened. |
| START (T2) | | |
| Super rinse | S:0 | Super Rinse, default |
| PROG (T1) | S:1 | Super Rinse on. Adding two extra rinses. |
| START (T2) | | |
| Total restart | r:0 | No restart on the next press T2, default |
| PROG (T1) | r:1 | Total restart at the next press T2 |
| START (T2) | | |

| DW90.3 | | |
|---|------------------------|---|
| To enter service menu, press T1 and T2 at power on. | | |
| START (T2) | | |
| Failure | CU Date code xxxx | Control unit manufacturing date: year week |
| | Software xxx | Software version |
| PROG (T1) | 3 FAIL. xxxx | Last failure |
| | 2 FAIL. xxxx | 2nd last failure |
| | 1 FAIL. xxxx | 3rd last failure |
| START (T2) | | |
| Diagnostic | Testing | No component on |
| | Testing Valve A: XXX | Mix valve on and inlet valve on (1 sec delay between mix valve and inlet valve), flow in pulses(XXX) by flow meter |
| | Testing Valve B: XXX | Inlet valve on (1 sec delay), flow in pulses(XXX) by flow meter |
| PROG (T1) | Testing Salt | Salt valve on |
| | Testing Dispenser | Kombi dispenser on |
| | Testing Cir: XXV | Circulation pump on and the water diverter valve(if present) shall change between position 1 and 3 every 30 second, turbidity(XX) in Volt |
| | Testing Heater: XX°C | Circulation pump and heater on until max 75°C, temp displayed in °C or °F according to machine setup |
| | Testing Fan: XXXX | Fan and wax actuator on, humidity value(XXXX Hz) |
| | Testing TDE | TDE fan on and TDE heater on |
| | Testing Drain: XXV | drain pump on, pressure sensor value(XX) in Volt |
| START (T2) | | |
| Water inlet | Water volume 0 | Normal water intake, default |
| | Water volume +5% | Water intake increased +5% |
| | Water volume +10% | Water intake increased +10% |
| | Water volume +15% | Water intake increased +15% |
| PROG (T1) | Water volume Time 0 | Time, flow meter disconnected, inlet time: no of pulses x 0.068 [s] |
| | Water volume Time +5% | Timed water intake increased +5% |
| | Water volume Time +10% | Timed water intake increased +10% |
| | Water volume Time +15% | Timed water intake increased +15% |
| START (T2) | | |
| LCD-cont | Contrast 0 | LCD-contrast 0 |
| | Contrast +1 | LCD contrast +1 |
| PROG (T1) | Contrast +2 | LCD contrast +2 |
| | Contrast -1 | LCD contrast -1 |
| START (T2) | | |
| TDE | Turbo Drying On | Turbo Drying Express On |
| PROG (T1) | Turbo Drying Off | Turbo Drying Express off |
| START (T2) | | |
| Fan seq. | Fan Off | No fan sequence during wash cycle |
| PROG (T1) | Fan 1 On | Fan sequence during the wash cycle but not in Normal program, the default setting |
| | Fan 2 On | Fan in sequence during the all wash cycles |
| START (T2) | | |
| DUO | DUO Off | DUO Off |
| PROG (T1) | DUO On | DUO On, to activate program like Sani, Pots & pans |
| START (T2) | | |
| Region | Region EU | Region Europa, default setting |
| | Region US | Region USA |
| PROG (T1) | Region AU | Region Australien |
| START (T2) | | |

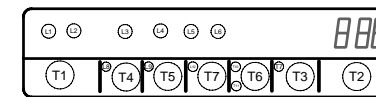
Displays

DW90.1



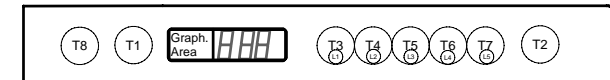
Panel type DW90.1, L = LED, T = Push-button

DW90.1 OEM



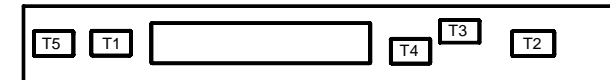
Panel type DW90.1 OEM, L = LED, T = Push-button

DW90.2



Panel type DW90.2, L = LED, T = Push-button

DW90.3



Panel type DW90.3, T = Touch areas

CIRCUIT DIAGRAM DW90.1, DW90.1OEM, DW90.2, DW90.C, DW90.3

80 840 68-01

This document must not be copied without our written permission, and the contents thereof must not be imparted to a third party nor be used for any unauthorized purpose. Contravention will be prosecuted. Asko Appliances AB